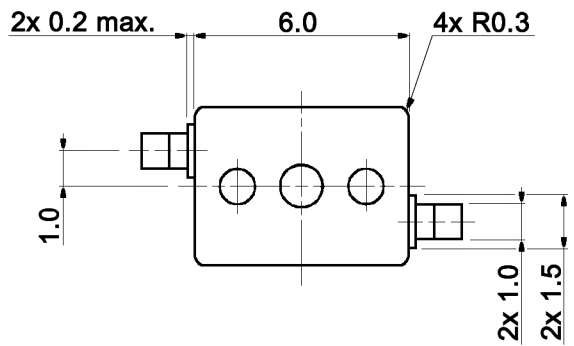
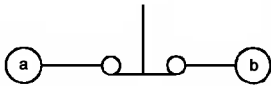
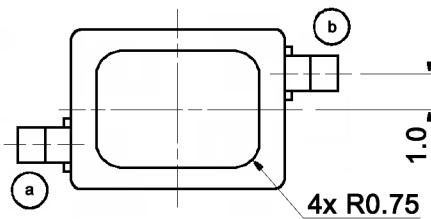


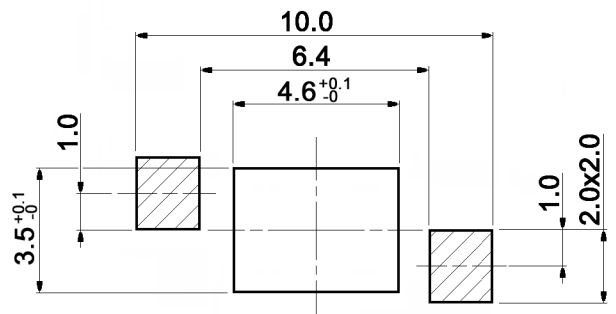
CIRCUIT DIAGRAM
BOTTOM VIEW



BOTTOM VIEW



P.C.B. MOUNTING DIMENSIONS
TOP VIEW



TTP: total travel
the knob can be moved at least to this point without damaging the switch. The external plunger shall not exceed this point.

OFF: switching point
Knob position at this point ensures the change from On to OFF. The external plunger shall move to this point at least to change the switch status.

FP: free point
Rest position of the knob.

Compliance: RohS III (2015/863/EU)

Tolerances: up to 10: ±0.2mm above 10-50: ±0.3mm	Date	Name
	03/13	dr
P.C.B. Mounting	06/24	dr
Renamed	12/23	dr
Revised	07/20	dr
Modifications	Date	Name

DTS 111 BP-T

knitter-switch

30 28 25

Page

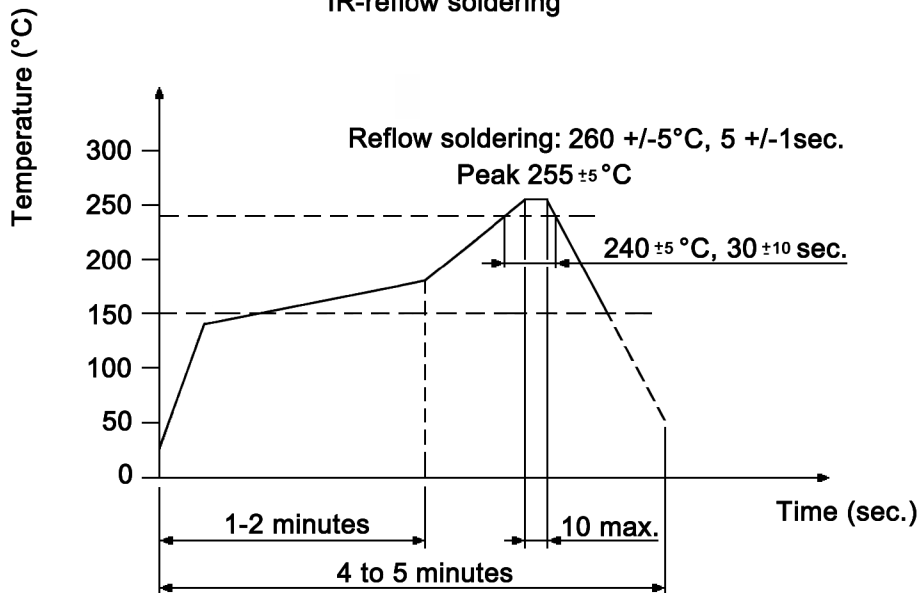
1/3

Specifications:

Contact rating: 0.1-5mA, 5V DC
 Contact resistance: 1 000mOhm max.
 Insulation resistance: 100MOhm min. at 250V DC for 1 minute
 Dielectric strength: 250V AC (50/60Hz, 2mA) for 1 minute
 Operating temperature: -40°C to +80°C
 Storage temperature: -40°C to +80°C
 Electrical life: 100 000 cycles (5V DC, 5mA, resistive load)
 Operating force: 343mN max.
 Material: Spring wire: SWC, temper
 Contact plate: phosphor bronze, silver plated
 Terminal: copper alloy, silver plated
 Knob / cover: PA, black
 Case: LCP, dark grey

Soldering conditions:

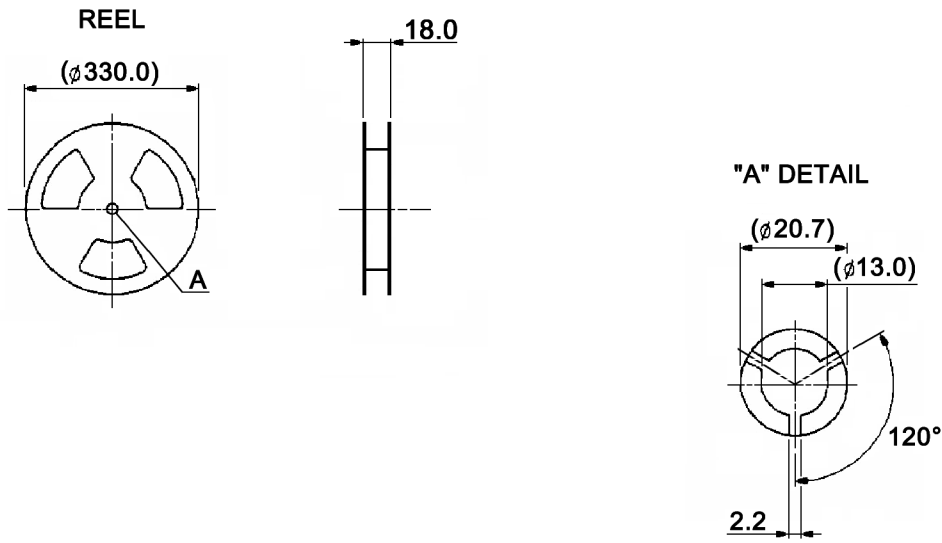
IR-reflow soldering



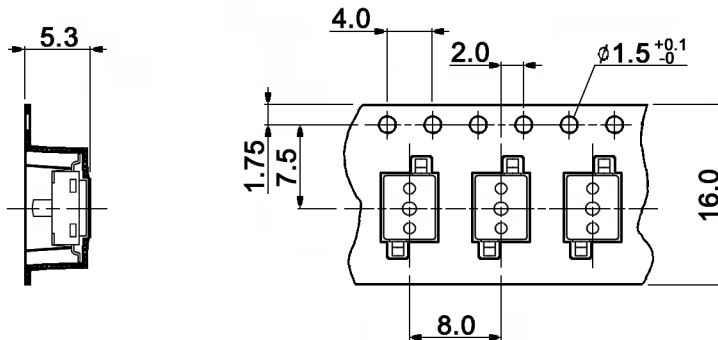
Compliance: RohS III (2015/863/EU)

Tolerances: up to 10: ±0.2mm above 10-50: ±0.3mm		Date	Name	<h1>DTS 111 BP-T</h1>
		03/13	dr	
P.C.B. Mounting	06/24	dr	<h2>knitter-switch</h2>	<h1>30 28 25</h1>
Renamed	12/23	dr		
Revised	07/20	dr		
Modifications	Date	Name		Page 2/3

Packaging:



CARRIER TAPE



Packaging unit: 1500 pcs. / reel
 Compliance: RohS III (2015/863/EU)

Tolerances: up to 10: ±0.2mm above 10-50: ±0.3mm		Date	Name
		03/13	dr
P.C.B. Mounting	06/24	dr	
Renamed	12/23	dr	
Revised	07/20	dr	
Modifications	Date	Name	

DTS 111 BP-T

knitter-switch

30 28 25

Page

3/3